

# built-up thermowells, straight shank with threaded connection, NP25

# W10, W20 serie



Thermowells are used to protect the measuring instrument from corrosion, high pressure or high fluid velocity and to allow the measuring instrument removal for recalibration or replacement without affecting the process system. The w10-W20 serie includes thermowells with threaded process connection. These thermowells are suitable for low / medium work intensity.

## 9 - Thermowells

**Nominal pressure:** 360 psi @ 752°F (25 bar @ 400°C).

**Process fluid temperature:** -328...+752°F (-200...+400 °C), for std materials.

**Total length:** 196" max (5000 mm).

**Insertion hole:** **100** -  $\varnothing 0,39$ " (10 mm); **120** -  $\varnothing 0,47$ " (12 mm)

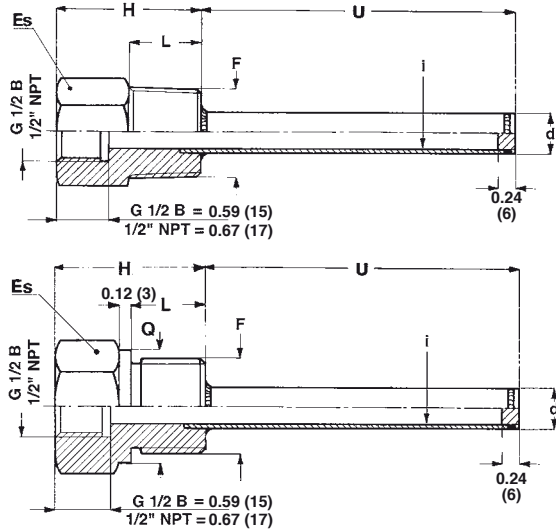
### Materials :

insertion, AISI 316 (**Cod. 4**), AISI 316L (**Cod. 5**) st.st. seamless tube;  
thread, AISI 316, AISI 316L st.st. bar-stock.

## OPTIONS

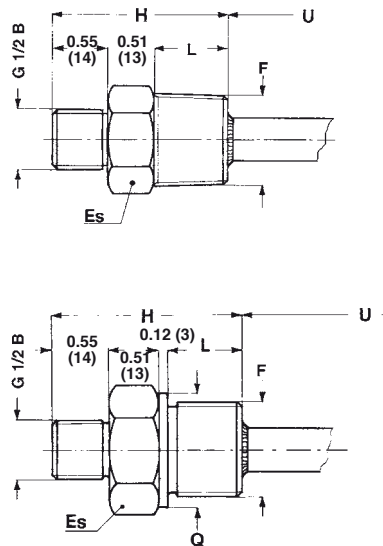
<b>E30</b> - NACE MR0103/MR0175 - ISO15156-3 certificate
<b>P02</b> - Oxygen service
<b>TC1</b> - Plug and chain (1)

(1) Drawings and details in the "Thermowells information" sheet.



Mod.	Es.	F	i	d	H	L	Q
W11	0.94 (24)	43M	0.39 (10)	0.47 (12)	1.65 (42)	0.67 (17)	-
		1/2" NPT	0.47 (12)	0.55 (14)			
W12	1.06 (27)	53M	0.39 (10)	0.47 (12)	1.69 (43)	0.71 (18)	-
		3/4" NPT	0.47 (12)	0.55 (14)			
		41M	0.39 (10)	0.47 (12)	1.42 (36)	0.55 (14)	1.02 (26)
W13	1.42 (36)	63M	0.39 (10)	0.47 (12)	1.81 (46)	0.83 (21)	-
	1.26 (32)	1" NPT	0.47 (12)	0.55 (14)			
W14	1.61 (41)	51M	0.39 (10)	0.47 (12)	1.50 (38)	0.63 (16)	1.25 (31,7)
		G 3/4 B	0.47 (12)	0.55 (14)			
W14	1.61 (41)	61M	0.39 (10)	0.47 (12)	1.57 (40)	0.71 (18)	1.54 (39)
		G 1 B	0.47 (12)	0.55 (14)			

dimensions : inches (mm)



Mod.	Es.	F	i	d	H	L	Q
W21	0.87 (22)	43M	0.39 (10)	0.47 (12)	1.73 (44)	0.67 (17)	-
		1/2" NPT	0.47 (12)	0.55 (14)			
W22	1.06 (27)	53M	0.39 (10)	0.47 (12)	1.77 (45)	0.71 (18)	-
		3/4" NPT	0.47 (12)	0.55 (14)			
		41M	0.39 (10)	0.47 (12)	1.61 (41)	0.55 (14)	1.02 (26)
W23	1.42 (36)	63M	0.39 (10)	0.47 (12)	1.89 (48)	0.83 (21)	-
	1.26 (32)	1" NPT	0.47 (12)	0.55 (14)			
W24	1.61 (41)	51M	0.39 (10)	0.47 (12)	1.69 (43)	0.63 (16)	1.25 (31,7)
		G 3/4 B	0.47 (12)	0.55 (14)			
W24	1.61 (41)	61M	0.39 (10)	0.47 (12)	1.77 (45)	0.71 (18)	1.54 (39)
		G 1 B	0.47 (12)	0.55 (14)			

dimensions : inches (mm)

## "HOW TO ORDER" SEQUENCE

Section / Model / Material / Instrument connection / Process connection / Insertion hole / Insertion length / Extension length / Options

9	W11	4	41F - G 1/2	41M	100	E30...TC1
	W12	5	43F - 1/2 NPT	51M	120	
	W13		41M - G 1/2 B	61M		
	W14			43M		
	W21			53M		
	W22			63M		
	W23					
	W24					