

The Simpliport LED Illuminator Assembly has been designed to accept 120 or 240 VAC power sources and for a service life of up to 7 years. The LED Illuminators are weatherproof and are rated safe for use in ordinary locations

STORAGE and HANDLING

All units should be inspected upon receipt to ensure that no damage has been incurred during transit. If there is a claim due to damage, it should be filed with the carrier immediately. Units should be stored in a dry and sheltered area prior to installation, in a secure manner where they can neither fall, nor be struck by other objects. The temperature of the storage area should not exceed 170° F. (75° C.)

COMPONENTS

There are five main components that make up the Simpliport Illuminator Assembly: the LED Illuminator, the front end hood, the mounting bar assembly, the power supply, and the cable connecting the power supply to the LED Illuminator. The cable may have more than one piece depending on the required distance between the Illuminator and the power supply. In most cases, however, the power supply will be mounted directly to the LED Illuminator.

INSTALLATION

CAUTION: All LED Illuminators are tagged with the service conditions for that particular unit. This information is located on the power supply housing. The ratings should be reviewed prior to installation and again prior to start-up, to ensure proper operation in the installed environment. Should there be any doubt as to the applicability of a unit for the installed environment, consult the factory before placing the unit into service.

Note: All installation steps should be performed by a qualified technician and should be

executed in accordance with all applicable national and local codes.

The LED Illuminator and power supply should be checked to ensure that they contain no foreign matter, and that the end connections are clean, undamaged, and in line with existing conduit.

Step by step instructions:

- 1) Assemble the mounting bar assemblies to the Simpliport Gage mounting lugs using the (4) 5/16" X 1" SHCS that are provided (Fig. 1).
- 2) To mount the LED Illuminator assembly to the gage: While holding the illuminator at a slight angle, slide illuminator top onto pins. Align bottom pins with slots and rest unit in place. **Note: The Simpliport Gage must be viewed with the packing nuts facing slightly to the left. Make sure the Illuminator and viewing hood are in the correct orientation to the Simpliport Gage. (Fig. 2)**
- 3) Repeat the procedure in Step 2 to mount the front end hood to the opposite side (viewing side) of the gage.
- 4) The unit's power supply has wire leads and a fuse ready to connect to the incoming AC power source. Remove the enclosure lid to access wiring. Connect incoming AC power source per local and National Electric Codes. The fused (red) wire is to be connected is the "Hot" and the remaining white wire is the "common".
- 5) The power supply can be remote mounted if desired. After remote mounting of power supply, if the blue power cord will not reach the power supply, contact your local representative or factory for the required extension cable.

Figure 1: Typical Simpliport Illuminator Installation

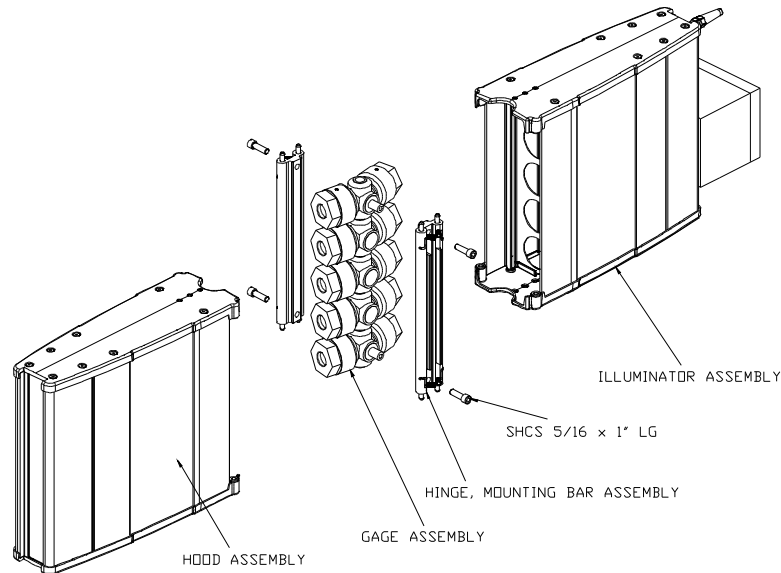
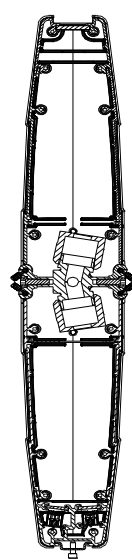


Figure 2: Viewing the Gage

VIEWING THE GAGE



OPERATION

The Simpliport LED Illuminator can operate continuously. The operating life of the LED's is up to 7 years under normal conditions.

Customers may install a switch or a Reliance model TPS-XXX (120VAC or 240VAC) Timer Power Switch if desired. Any additional components must be installed prior to the customer's sealing fitting.

ROUTINE MAINTENANCE

Keep glass on the front of the front end hood and in the illuminator assembly clean using commercial glass cleaners, such as Windex® or similar. Never use harsh abrasives, wire brushes, metal scrapers, or any material that could scratch the glass.

The illuminator may be removed during inspection or maintenance of the customer's Simpliport gage. The LED Illuminator and the front end hood can both be removed by tilting at an angle to disengage the bottom slots and lifting up off of the top pins. Make sure that the hoods and illuminator are supported after removal. Damage can occur if either the front end hood or LED Illuminator is dropped.

SPECIFICATIONS

Power Supply: 120/240 VAC @ 50-60 Hz
Max Power
Consumption: 500 mA
Est. Life: Up to 7 years (continuous)
Agency Approvals: FM/CFM Ordinary Locations
Wire Size: Min 16 AWG
Max dist. from
power supply to light: 72' (22 M) Standard Cable = 8' (2.5M)
Ambient Temperature: -40 F (-40 C) to 170 F (77 C)

The use of non-Original Equipment Manufacturer parts (such as glass, gaskets, probes, modules, etc.) will void the Agency Approval (FM, UL, CSA, CRN, ABS, etc.), pressure/temperature rating, and warranty of this equipment. Clark-Reliance requires the use of OEM parts for all repairs on this product in order to maintain plant and personnel safety, and reliable operation.

<http://parts.clark-reliance.com>